

Libellula.CLAIM

Technology for ideas



Line software

 From CAD 3D to
plan development



**The only limit to the creativity
of the designers will be their own**

Libellula.CLAIM allows you to control all phases of the creative process in an accurate manner, transforming ideas into technical drawings ready to be sent to the sheet metal working software.

With Libellula.CLAIM, belonging to the suite Libellula Universe, editing of a product, as well as the design of a particular geometry, become moments when the creative spirit meets the most advanced computing technology, producing original results of an absolute excellence.

More space for ideas with minimum time and maximum planning

Libellula.CLAIM was developed to minimize the time required to design ensuring a schedule that looks to the product 360 ° through the creation of a single file, implemented by custom modules and able to constantly interact between them.

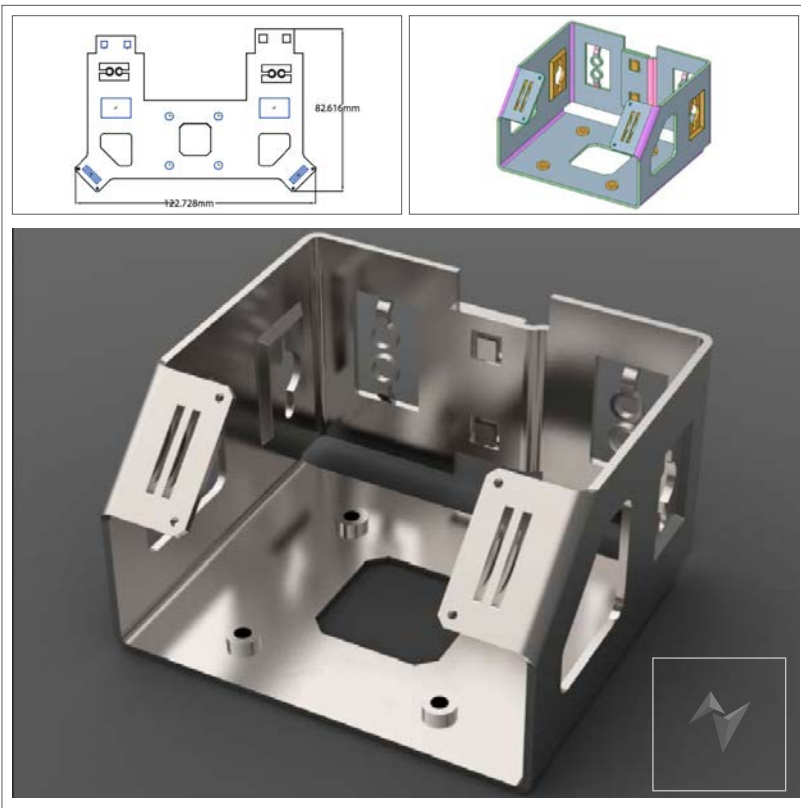
3D CAD and PDM: design and storage at the level of a true suite

Libellula.CLAIM consists of 3D CAD and PDM software applications. To the power of 3D solid modelling corresponds the storage capacity of PDM, which holds the document database managing projects and offering users advanced search tools

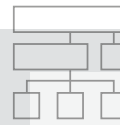
Expandable Power

The suite can further be implemented with other modules, including

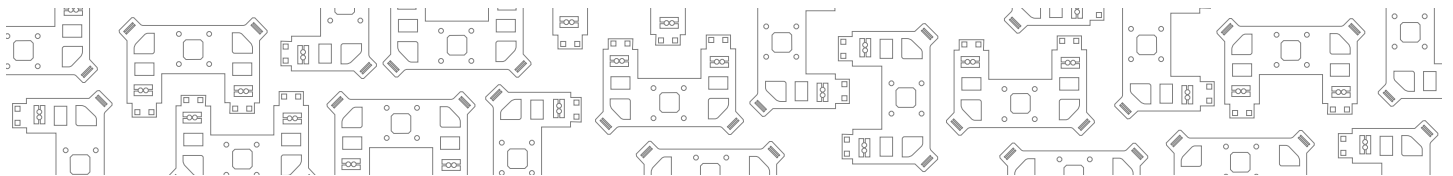
- ✦ Catia V5 or JT Open translators
- ✦ KeyShot: photorealistic rendering
- ✦ DB Claim: data management
- ✦ Parasolid, NX and Solidwork packages
- ✦ Autodesk Inventor, Catia V4, PRO/Engineer e VDA



FROM THE FIRST DRAFT
OF THE TECHNICAL DRAWING
IN A FEW STEPS



POSSIBILITY TO EXPAND
THE SOFTWARE APPLICATIONS
WITH ADDITIONAL MODULES



Technical features

- ✓ Solid design in 3D with an immediate and intuitive system
- ✓ Advanced special management in a simple manner
- ✓ Creating centralized repository for documents and projects
- ✓ Advanced search



Microsoft Partner

Silver Application Development

Libellula S.r.l. - Headquarters

Via Savigliano 6/B/1 - 12062 Cherasco (CN) - Italy
Tel. +39 (0) 172 491834 - Fax: +39 (0) 172 457970
contact@libellula.eu

Libellula S.a.r.l.

380, avenue Blaise Pascal - 77550 Moissy Cramayel - France
Tel. +33 (0) 476 227017
contact.fr@libellula.eu

Libellula SMS S.L.

Pol. Ind. Silvota C/ Peña Santa-Parc. 12, LLANERA, 33192 - España
Tel. +34 (0) 985 261 945 - Fax: +34 (0) 985 263 966
contact.es@libellula.eu

Libellula GmbH

Pfnorstr. 10 - D-64293 Darmstadt - Deutschland
Tel. +49 (0) 6151 9575838 - Fax: +49 (0) 6151 9575840
contact.de@libellula.eu

Libellula China

No 48, Lane 1111 Shuying Rd, Minhang District, Shanghai, PRC
201199 China Tel. +86 (0) 137 9520 3276
contact.cn@libellula.eu

Libellula do Brasil

Av. Cândido de Abreu, 526 - CJ 907 B Centro Cívico Curitiba - PR
CEP: 80530-905 Tel. +55 (0) 41 35327751
contact.br@libellula.eu