

Libellula.CAD

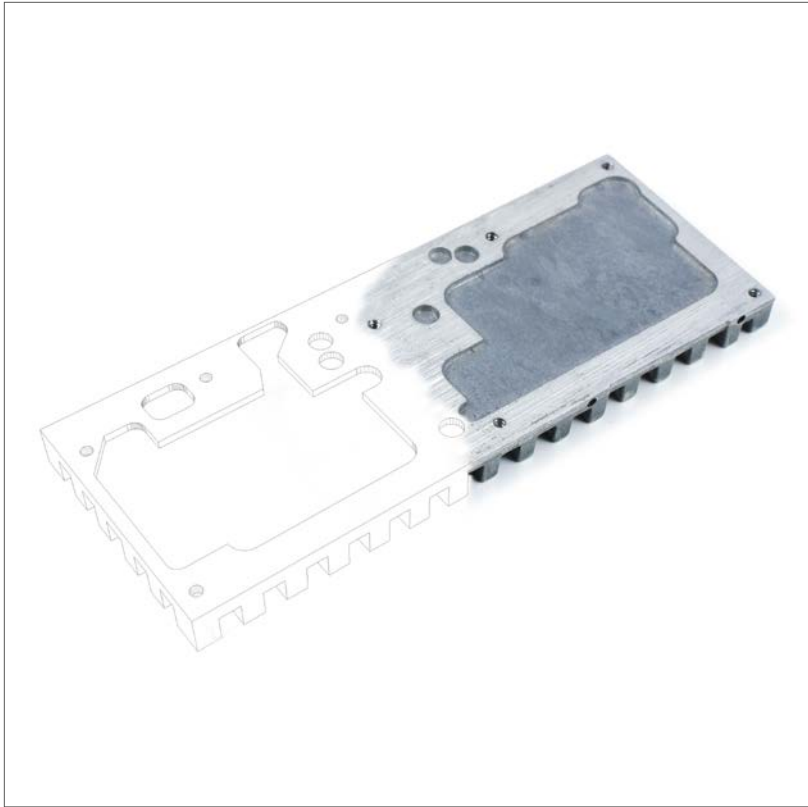
The new frontier in designing 3D models



Line software



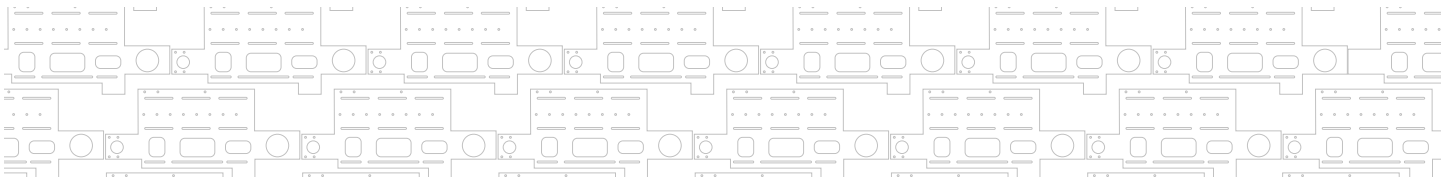
From CAD 3D to the
plan development



The supreme evolution of design

Belonging to the Libellula suite Universe, Libellula.CAD itself is a powerful software and able to create high-precision 3D models.

Designed in accordance with Libellula's unique philosophy, it implies the absolute immediacy of operations: a few moments are sufficient to import files or entire nesting procedures to be sent to the sheet metal processing software such as Libellula.CUT.



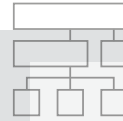
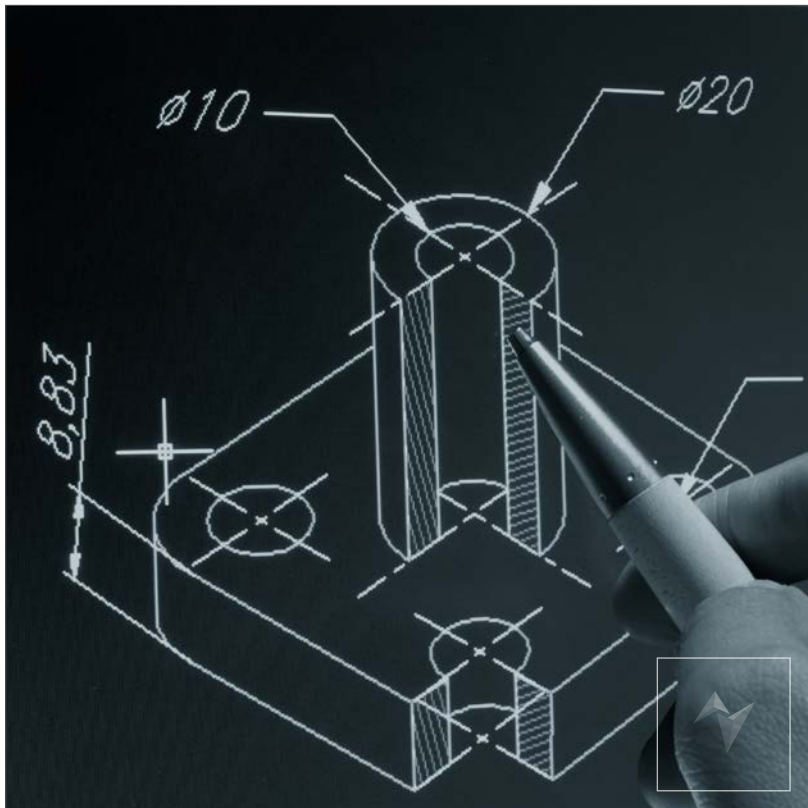
Intelligent shape analyser is fully integrated into the Libellula software environment.

- ✦ The ISA - Intelligent Shape Analyzer - developed by Libellula engineers, analyzes the model developed by Libellula.CAD, sectioning into parts and finding the optimal parameters
- ✦ From Libellula.CAD, the model then passes to the UNFOLD module, which develops in a plan the 3D model: transformed into plan the project is automatically sent to the Libellula.CUT cutting software

Modelling in mixed techniques

With Libellula.CAD you can design models with different techniques: ruled surfaces, conical, smooth join protrusions, cylinders, boxes, elliptical plans giving life to a three-dimensional object immediately ready to be processed in the machine.

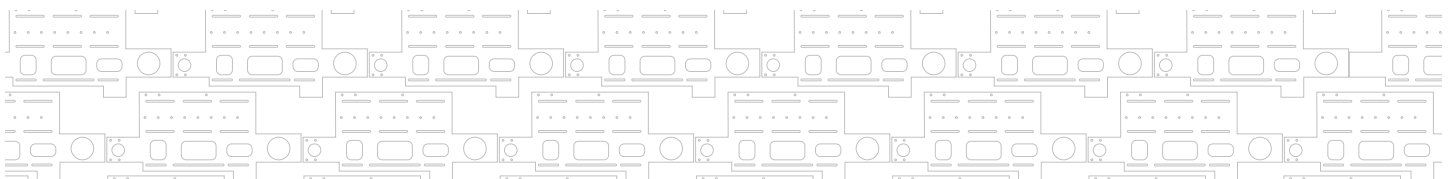
Libellula.CAD



CREATING 2D AND 3D MODELS IN A FEW SIMPLE STEPS THANKS TO THE "ONE CLICK" LIBELLULA PHILOSOPHY



DESIGN MODELS WITH ANY TECHNIQUE



Technical Features



- ✓ Creating 2D and 3D models
- ✓ Production documentary tables of advanced dimensioning and variables
- ✓ Models and parameters management
- ✓ Set Shot Peening
- ✓ Automatic calculation of the developments for pipes, extrusions and beams
- ✓ Photo editing 3D models
- ✓ Import of 2D and 3D special models in the formats STEP, AP 203/ AP214, Parasolid, SAT/ACIS and standard models in the formats set, STL, VDA AND IGES
- ✓ Import of 2D specials



Libellula S.r.l. - Headquarters

Via Savigliano 6/B/1 - 12062 Cherasco (CN) - Italy
Tel. +39 (0) 172 491834 - Fax: +39 (0) 172 457970
contact@libellula.eu

Libellula S.a.r.l.

380, avenue Blaise Pascal - 77550 Moissy Cramayel - France
Tel. +33 (0) 476 227017
contact.fr@libellula.eu

Libellula SMS S.L.

Pol. Ind. Silvota C/ Peña Santa-Parc. 12, LLANERA, 33192 - España
Tel. +34 (0) 985 261 945 - Fax: +34 (0) 985 263 966
contact.es@libellula.eu

Microsoft Partner

Silver Application Development

Libellula GmbH

Pfnorstr. 10 - D-64293 Darmstadt - Deutschland
Tel. +49 (0) 6151 9575838 - Fax: +49 (0) 6151 9575840
contact.de@libellula.eu

Libellula China

No 48, Lane 1111 Shuying Rd, Minhang District, Shanghai, PRC
201199 China Tel. +86 (0) 137 9520 3276
contact.cn@libellula.eu

Libellula do Brasil

Av. Cândido de Abreu, 526 - CJ 907 B Centro Cívico Curitiba - PR
CEP: 80530-905 Tel. +55 (0) 41 35327751
contact.br@libellula.eu